

## Sink S4001 Filotop

Kitchen Sinks

Code: 3366 050



### DETAILS

|                        |   |
|------------------------|---|
| Edge/Installation Type | Flush-mount   Top-mount   |
| Finish                 | Foster brushed  |
| Material               | AISI 304 stainless steel  |
| Texture                | Brushed in line   |
| Base                   | 80 cm   |
| Dimensions             | 770x520 mm  |
| Standard fittings      | Fixing hooks, gasket, drain, overflow and siphon, boxed packing |
| Mixer holes            | 2 standard holes  |
| Built-in hole          | <a href="#">View technical data sheet</a>                       |

|                 |                                    |
|-----------------|------------------------------------|
| Drainer         | No                                 |
| Width           | 77 cm                              |
| Bowl dimension  | 710 x 400 mm                       |
| Number of bowls | 1 bowl                             |
| Waste fitting   | Drain with automatic control SPACE |

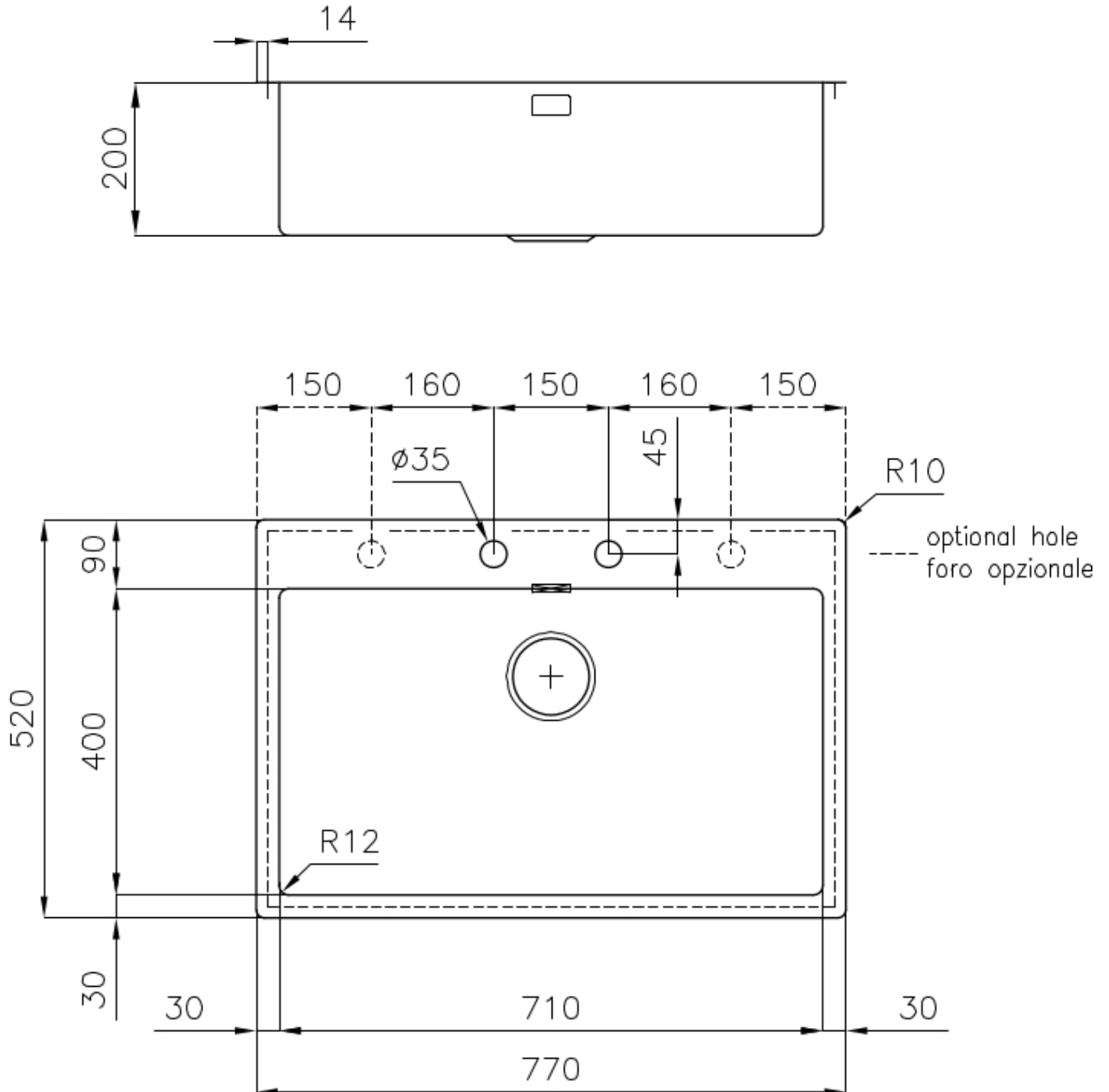
## FEATURES

|                         |   |
|-------------------------|---|
| Automatic waste fitting | The waste-fitting with round remote knob is supplied; a practical accessory which makes it unnecessary to get wet in order to drain the water from the bowl.  |
| Deep bowls              | This bowls reach an important depth, over 20 cm, thanks to the advanced production technology, that can be offer great capieny and practicity in all the washing operations.                                |
| Double mixer hole       | The large tap counter is already fitted with a series of 2 tap holes. In the second hole it is possible to install the remote control of the automatic drain or, alternatively, a practical soap dispenser. |
| High thickness          | 1mm thick steel. A significant thickness, which guarantees the maximum sturdiness and durability.   |
| Perimetral overflow     | The overflow is always a security on the Foster sinks that prevents the overflow of water in case of oversights. The perimeter drain solution improves aesthetics thanks to its square and essential shape. |
| Save space system       | Drain and siphon are designed to leave as much space as possible in the under-sink area, more and more useful today for theseparate waste collection systems.   |
| Small radius            | Bowls with squared shapes with a modern design and an increased capacity, for a minimal aesthetics connected with an extreme practicity.  |

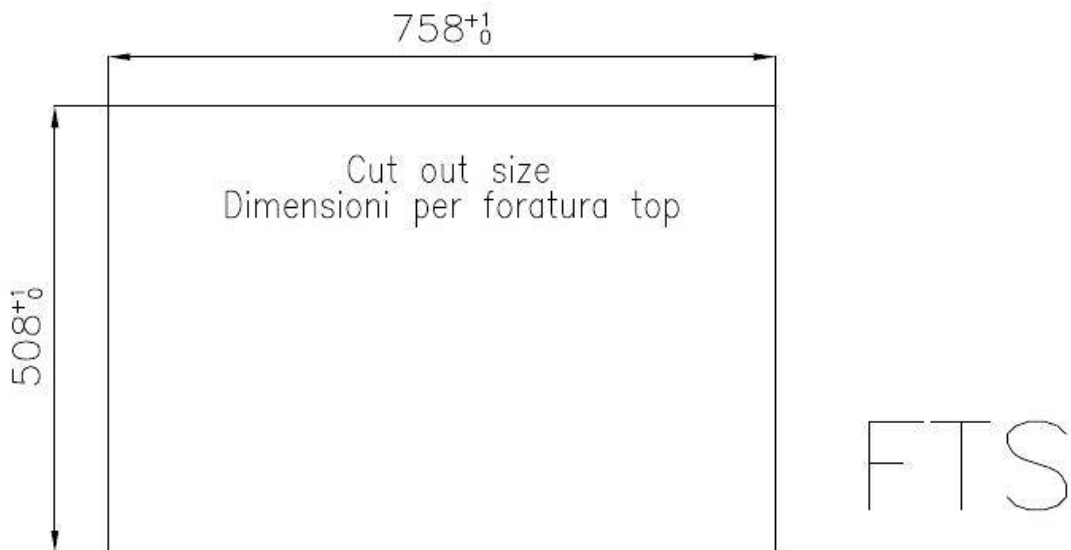
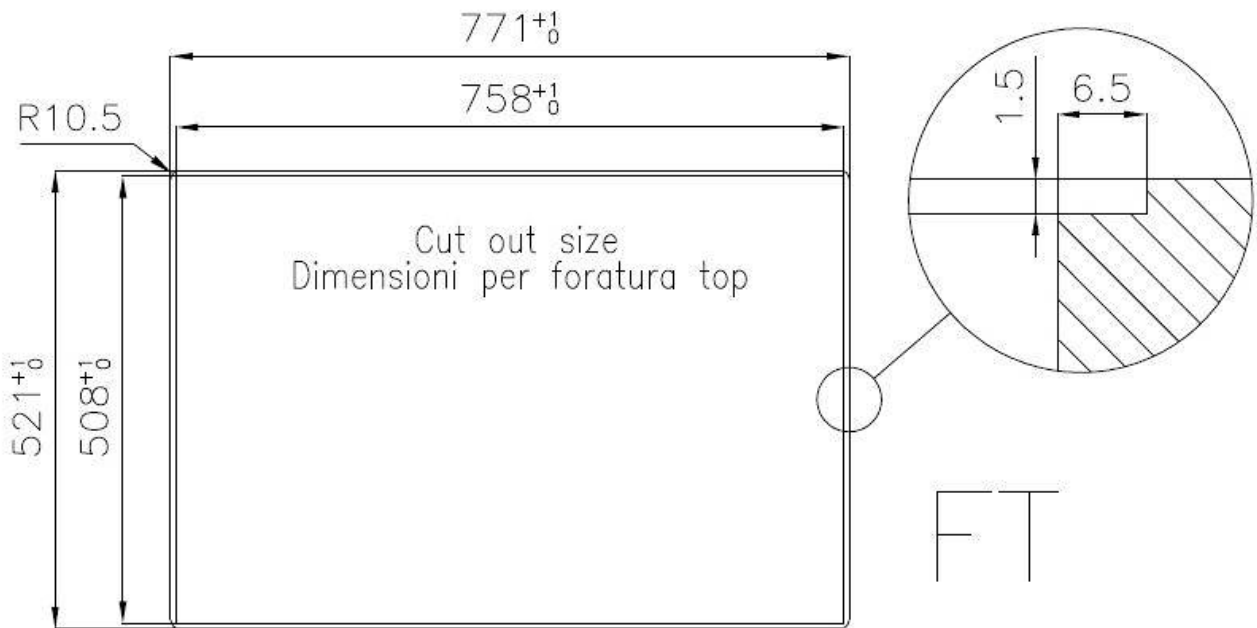
## Space waste fitting

The elegant SPACE steel cap closes the drain and leaves no visible residues collected in the basket below. Space also has a small footprint and allows the optimal use of the under-sink compartment.

## TECHNICAL DATA



## Lavello / Sink cod. 3366 050



### GALLERY



## EQUIPMENT



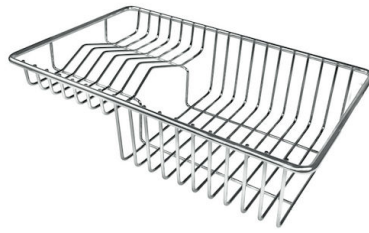
**Space automatic waste fitting - PA**

8407108

## OPTIONAL ACCESSORIES



**HPDE Twin chopping board**  
8644 101



**Stainless steel plate rack**  
8100 303  
\* only in combination with the accessory  
8644 101



**Glass chopping board**  
8631 300



**Graters kit with ring-holder and  
food collection tray**  
8159 101  
\* only in combination with the accessory  
8644 101



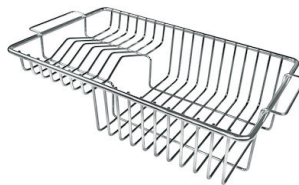
**HPDE Chopping board**  
8657 001



**Stainless steel perforated tray**  
8151 000  
\* only in combination with the accessory  
8644 101



**Stainless steel plate rack**  
8100 154



**Stainless steel plate rack**  
8100 201



**White basket**  
8612 100



**White bowl**  
8153 100

## RECOMMENDED PAIRINGS



**Mixer Tap Play**

8487 000